

# Lark 12M

## Loudspeaker System

User Guide



## Lark 12M

Peavey® Lark 12M is a floor monitor designed for the stage. It consists of a 12" Ferrite magnet drive and a 2.5" neodymium magnet compression driver. The compression driver is mounted concentrically on the back of the woofer. Equipped with 75°x75° round wide-angle waveguide horn, low distortion, high efficiency and constant directivity. The drive unit uses neodymium magnet circuit structure to greatly increase the magnetic field strength, thus ensuring high and stable power output and loud sound level.

The Lark 12M crossover is designed with high-quality polypropylene film capacitors and high-purity enameled wire inductors to restore the true sound to the greatest extent. The surface of the cabinet is coated with environmentally friendly polyurea, which can be applied to some weather conditions such as rain and fog. The angle adjustment device can realize the adjustment of 25~50 degrees (the increase is 5 degrees/state), which can meet the large or medium and small stage monitor.

### FEATURES

- 2-way coaxial design
- 12" ferrite magnet woofer, 2.5" neodymium magnet compression driver
- Coverage pattern (-6 dB) 75°x75°
- The surface of the speaker unit is waterproofed
- Inputs are two metal Speakon 4-pin jacks in parallel
- 25mm+15mm birch plywood construction
- Angle adjustment device on both sides, 25~50 degree adjustment, 5 degrees/state

### SPECIFICATIONS

- **Product type:** Loudspeaker system
- **Product model:** Lark 12M
- **System type:** 2 way full range
- **Powered:** No
- **Acoustic design:** Front Loaded, bass reflex
- **Crossover type:** Passive
- **HF section:** 2.5 "x1, Titanium, neodymium
- **LF section:** 12 "x1, paper cone, ferrite
- **Frequency response:** 65Hz~18KHz (-3dB)
- **Frequency range:** 50Hz~20KHz (-10dB)
- **Coverage:** 75°x75°(HxV)
- **Max SPL:** 127dB (continuous), 133dB (peak)
- **Power Handling:** 400W(continuous), 1600W(peak)
- **Nominal impedance:** 8Ω
- **Matching amplifier:** Lark1600 (Input sensitivity 1.0V, limiter threshold +1dBu)
- **Signal input:** Speakon NL4x2, 1+1-
- **Installation:** Cabinet 25°~50° (adjustable), M8 hanging pointx2, U-shaped mount (optional)
- **Finish:** Black, matte texture
- **Cabinet material:** 25mm+15mm birch plywood
- **Certification:** CE
- **Product Dimensions:** height 345, width 530, depth 499(mm)
- **Package Dimensions:** height 585, width 570, depth 420(mm)
- **Net weight:** 25.3kg(55.8lbs)

## Product Angle Adjustment Method

1、 There is a locking push pins on the inner side of the bottom of the cabinet, and the locking push pins is pulled outward, as shown in Fig. 1.

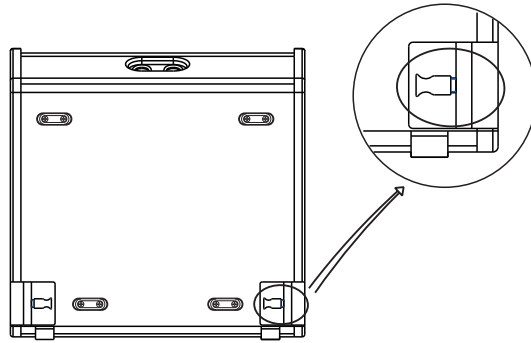


Figure 1

2、 Move the screw on the chute on both sides of the cabinet, as shown in Fig. 2; refer to the angle shown in Fig. 4, slide to the appropriate angle, and release the lock pin of Fig. 1, the final result is shown in Fig. 3.

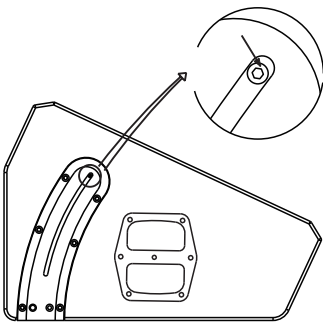


Figure 2

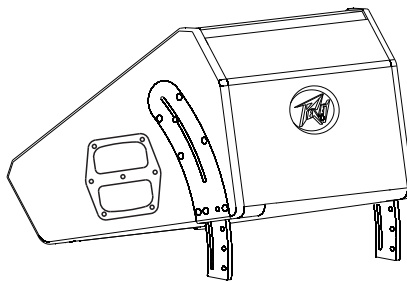


Figure 3

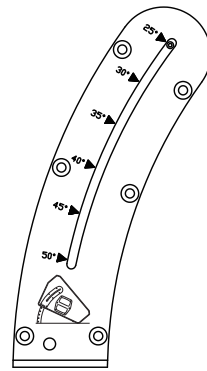


Figure 4

## Mounting Information

**⚠ CAUTION:** Before attempting to suspend this speaker, consult with a certified structural engineer. Speaker can fall from improper suspension, resulting in serious injury and property damage. Do not suspend or mount any other product or device from this enclosure! Use only the correct mating hardware. All associated rigging is the responsibility of others. Maximum enclosure angle 30 degrees.

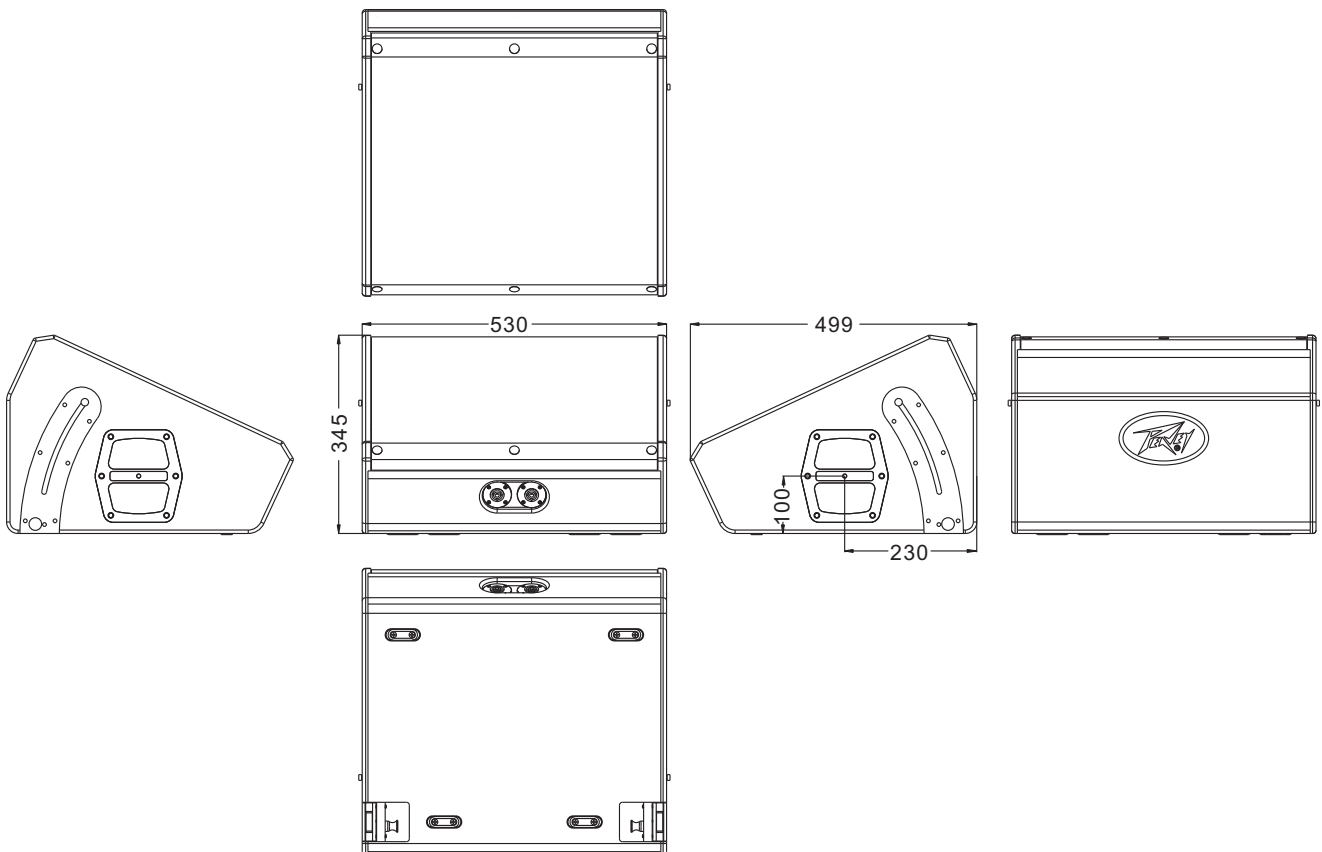
Whenever possible, in addition to the nominal primary mounting method, use a suitable safety chain or wire rope attached to one of the other groups of fly point inserts, and firmly attached to a suitable structural member as indicated by a certified structural engineer.

We recommend the use of Tread-locker at the insert point bolts, so the bolts cannot vibrate loose. Never transport the cabinet using the array bracket or other mounting brackets as a structural member, while the cabinet is mounted on an array bracket or other mounting bracket and unsupported otherwise, as this may unduly stress the mounting inserts.

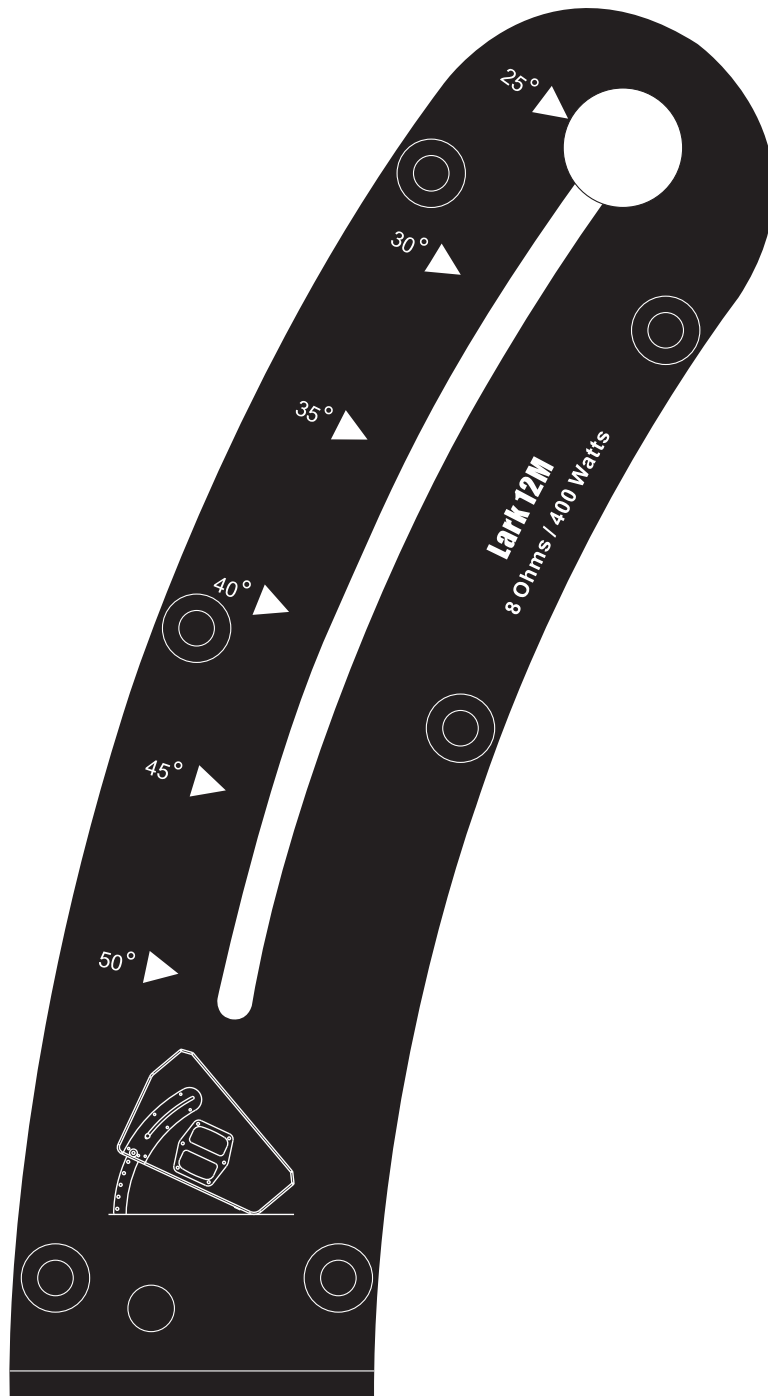
This Peavey® loudspeaker should be suspended overhead only in accordance with the procedures and limitations specified in the User's Manual and possible manual update notices. This system should be suspended with certified rigging hardware by an authorized rigging professional and in compliance with local, provincial or national suspension ordinances.

## Dimensions:


Unit: mm



Angle adjustment bracket:



## Lark 12M loudspeaker system basic optimization data V1.0

<b>Outward</b>				
<b>Model</b>	Lark 12M			
<b>Amplifier</b>	Lark 1600 (Input sensitivity 1.0V)			
<b>Controller</b>	Lark 88			
<b>Limiter</b>	Ratio: Limit	Threshold: +1 dB	Attack: 50 ms	Release: 500 ms
<b>Xover</b>	HPF: 61.1 Hz	Type: LK-24 dB	LPF: 20.16 KHz	Type: Bypass
<b>PEQ1</b>	Freq: 150.4 Hz	Gain: +2 dB	Q: 1	Type: Low Shelf
<b>PEQ2</b>	Freq: 455.9 Hz	Gain: -6 dB	Q: 3.4	Type: Peak
<b>PEQ3</b>	Freq: 1.35 KHz	Gain: -5 dB	Q: 4	Type: Peak
<b>PEQ4</b>	Freq: 4.00 KHz	Gain: -2 dB	Q: 4	Type: Peak
<b>PEQ5</b>	Freq: 8.00 KHz	Gain: -3 dB	Q: 2	Type: Peak
<b>Delay</b>	None			
<b>Polarity</b>	Normal			
<b>Level</b>	0 dB			





[www.peavey.com](http://www.peavey.com)

Warranty registration and information for U.S. customers available online at  
[www.peavey.com/warranty](http://www.peavey.com/warranty)  
or use the QR tag below



Features and specifications subject to change without notice.

Peavey Electronics Corporation 5022 Hartley Peavey Drive Meridian, MS39305 (601)483-5365 FAX(601) 486-1278



Logo referenced in Directive 2002/96/EC Annex IV  
(OJ(L)37/38, 13.02.03 and defined in EN 50419: 2005  
The bar is the symbol for marking of new waste and  
is applied only to equipment manufactured after  
13 August 2005